



日燭科技有限公司
JD Auspice Co., Ltd

FH-85 FUSE HOLDER SPECIFICATION 1500V



1 · Application

This serie fuse base is suitable for rated voltage to DC1500V, rated current 32A. Be connected with photovoltaic panels and batteries in parallel, to protect Charging variable flow system from short circuit ; also protect photovoltaic power station 、confluence inverter commutation system and Short circuit fault breaking ; Meanwhile protect photovoltaic power generation systems surge current 、 Short circuit fault overvoltage rapid breaking. Rated breaking capacity up to 50kA. Fuse base conform to international electrical committee standard IEC60269.

2 · Normal operating conditions

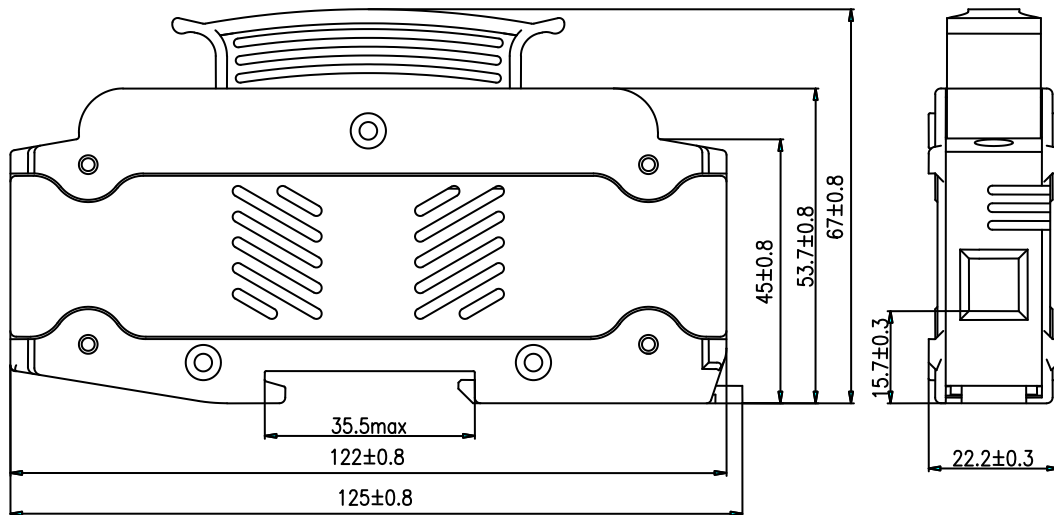
The storage temperature of unopened products should between -50°C and 90°C
The ambient temperature should between -50°C and 90°C ;
The rated voltage of PV fuse base does not need to be derated if the installation altitude less than 5000m.

3 · Operation category

“gPV” means full range breaking capacity DC Fuse base for portecting in solar photovoltaic system.

4. Principle Technical Parameter

Drawing 1



Fuse base model	Dimension of matched fuse	Rated voltage	Rated current	Dimensions (mm)
FH-85	10×85	1500Vdc	32A	See Drawing 1
Clamping screw M 5	Clamping range, min. 1.0 mm ²		Clamping range, max. 16 mm ²	
Rail: TS35	Wire connection cross section AWG,min. AWG 17		Wire connection cross section AWG,max. AWG 6	
Fuse base: 10pcs/box, 180pcs/ctn , 19.0kgs/ctn	Tightening torque, min. 2.0 Nm		Tightening torque, max.2.5 Nm	

5. Material properties

Material: PBT Colour: Light blue

Temperature resistance:≥140°C

Non-propagating and self-extinguishing properties:UL94-V0 or simulate

Electrical resistance to surface leakage current:CTI200 or better

Fuse base : Rated impulse withstand voltage 8kV

Impulse voltage up to 12kV tested

Xili fuse retains the right to change the dimensions, specifications, materials or design of its products at any time with or without notice.